

# Automatic Swing Door System

## ASSA ABLOY Integra

ASSA ABLOY

ASSA ABLOY Entrance Systems

The global leader in door opening solutions



ASSA ABLOY Integra swing door system is the perfect choice where high performance and superior safety is of extra importance.

### Energy-efficiency

ASSA ABLOY automated door systems are sustainable by nature and automatically convenient as they ensure opening only when needed to pass, eliminating unnecessary air infiltration and keeping climate zones separate. The innovative electronics in the ASSA ABLOY Integra swing door system ensure minimal energy consumption for optimal door performance.

### Safety

The ASSA ABLOY Integra is safe to use for all, despite age and physical ability. In case of an obstruction by a person or object, the obstruction control ensures stop on stall and reverse operation. Our round back edge profile ensures finger trap protection.

Furthermore, the system is fully compliant with European standards.

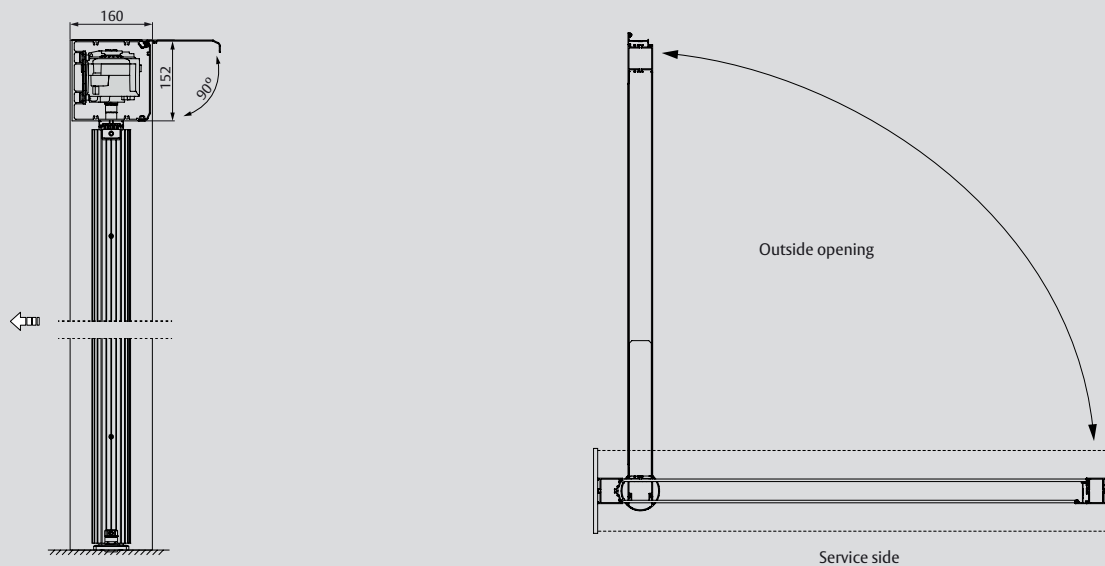
### Technical specifications

Power supply	100-240 VAC +10/-15%, 50/60 Hz, mains fuse max 10A (building installation)
Power consumption	Max. 300 W
Auxiliary voltage	24 V DC, max. 700 mA
Monitored battery backup unit	24 V DC
Electromechanical locking connection	12 V DC, max. 1200 mA or 24 V DC, max. 600 mA
Ambient temperature	-20 °C to +45 °C
Relative humidity (non condensing)	95%
Recommended max. door weight and door width Inertia $J = \text{Door Weight} \times (\text{door width})^2 / 3$ Concealed = 80 kgm <sup>2</sup>	
Class of protection IP20 - To be installed internally or externally with suitable weather protection	
Comply with	EN 16005

### Convenience

An entrance equipped with a ASSA ABLOY Integra swing door system is always accessible with the optional battery backup. The system also monitors the battery for power and function, and gives an electronic indication if it is not working properly and needs to be replaced.

The operator is truly reliable during all weather conditions as it is not affected by stack pressure and wind load when opening and/or closing. Also, for your convenience, safety and quick exit, the system can easily be manually opened when needed; despite extended closing torque, thanks to sensor detection ensuring lowest manual opening force.



### Security

The ASSA ABLOY Integra's intelligent locking features are designed for your peace of mind. For example, double doors are precisely controlled to prevent jamming and increase security. The system can also sense when the door has not closed completely and will prompt the door to open again and close fully, even under heavy wind load and stack pressure.

### Aesthetics

The ASSA ABLOY Integra swing door system will be equipped with SW200 Overhead concealed operator. The system will be providing an aesthetic look as the drive unit is connected direct to the top of the door showing no arm system.

### Models

**ASSA ABLOY Integra-L** – Left hand door; a complete unit consisting of jamb/header assembly and door leaf

**ASSA ABLOY Integra-R** – Right hand door; a complete unit consisting of jamb/header assembly and door leaf

**ASSA ABLOY Integra-2** – Double doors; a complete unit consisting of jamb/header assembly and door leaves

### Sizes

Type	FW min	FW max	FH min	FH max
ASSA ABLOY Integra-L	1000	1250	2100	2600
ASSA ABLOY Integra-R	1000	1250	2100	2600
ASSA ABLOY Integra-2	1250	2500	2100	2600

Clear opening width (COW) =  
FW-197.5 (ASSA ABLOY Integra-L/R) and  
FW-257 (ASSA ABLOY Integra-2)

All dimensions in millimetres

### Standard equipment

Control unit CU-200 with EXU-SI and EXU-SA included  
- with possibility to connect manual and automatic activation units, position switches, el. locks, presence sensors, battery, kill, open/close etc.

Push and go

Power assist

Sync cable – Used on double doors to select the opening and closing order

Swing door operator ASSA ABLOY SW200

### Accessories and Options

Programme selectors

Battery backup unit

Impulse and presence detection sensors

Midrail (70 or 150 mm)

Bottom rail (178mm)

Top rail (174 mm)

Mechanical hook bolt lock on the door leaf

Electromechanical lock

Flush bolt lock

Glass types

- 6, 8 or 10 mm laminated

- 22 or 40 mm insulated

Infill panel

Combination of glass and infill panel

Threshold

This equipment should be installed, regularly inspected, maintained and serviced by trained and authorized personnel. Preventive maintenance plans are highly recommended for a proper and safe operation. Talk to your ASSA ABLOY Entrance Systems representative to learn more about our service offering!